

**NEW**

# **PIT COVERS**

**100 % COMPLIANT ! SECURE YOUR WORKSHOP !**



# PLATO



**BY DALIS**  
PIT COVERS

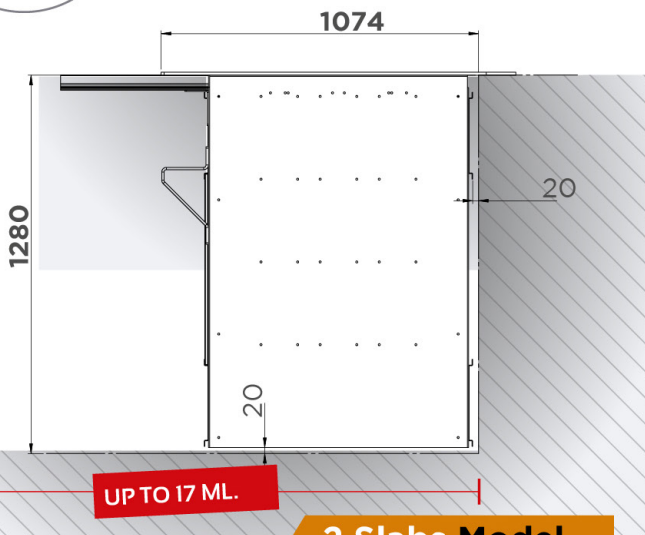
[www.dalis-pitcovers.com](http://www.dalis-pitcovers.com)

**Covers**

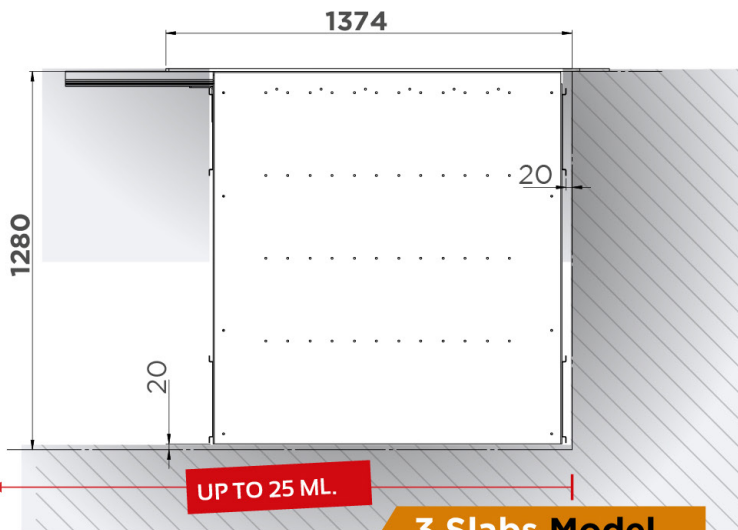
**100 % COMPLIANT ! SECURE YOUR WORKSHOP !**

### 1 STORAGE

according to the lenght to be covered.



**2 Slabs Model**



**3 Slabs Model**

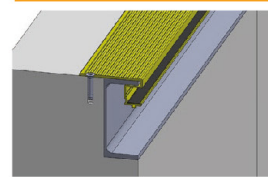
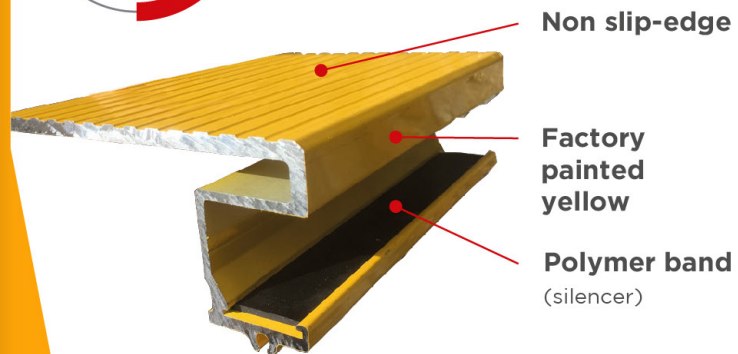


### What are the advantages ?

Storer comes come as a **pre-tuned, easy-to-install block.**

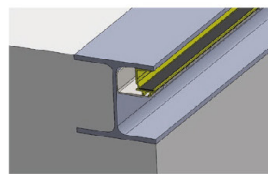
### 2 RAILS

according to pit edge.



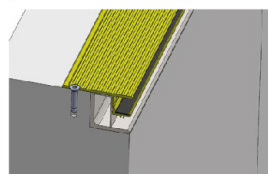
#### Model 1

**Universal**  
for bolting to a sheet metalsupport.



#### Model 2

**Special for new pits**  
Optimal integration.



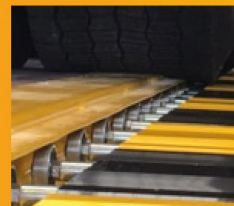
#### Model 3

For angles and pits  
with straight edges.



### How to lay out the rails ?

The rails are very exposed at ground level, particularly to the passage of vehicle wheels..

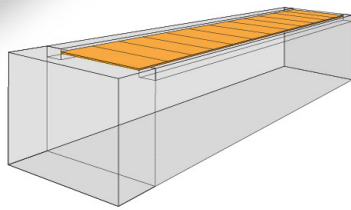


**Twin wheels**



**Jusqu'à 2.5cm en porte-à-faux**

Contact us, we will advise you to achieve an optimal assembly.

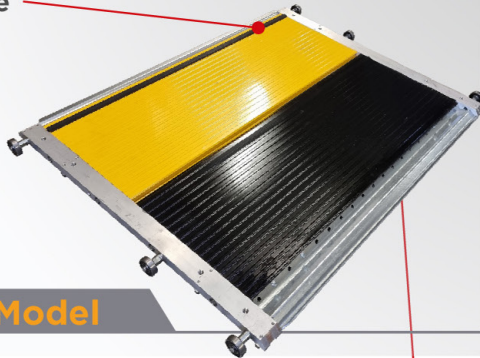


# 3

## THE COVER

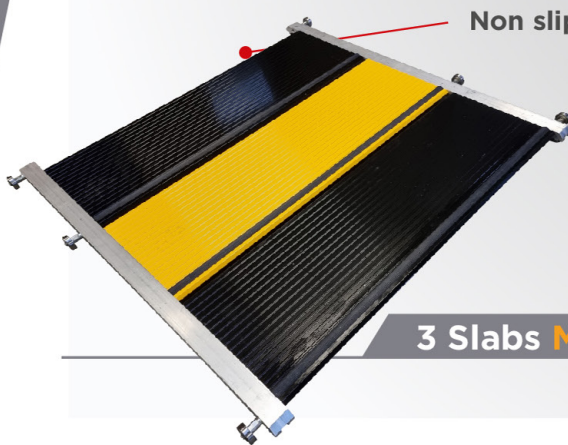
According to your frequency of use.

Non slip-edge



2 Slabs Model

Non slip-edge



3 Slabs Model



**Charge capacity** 1500 kg/m<sup>2</sup>  
(Not drive able / pedestrian use).



### What do the regulations say?

The pit cover must meet recommendations. If it is motorized, it must comply with the requirements of machine directives 2006/42/CE, which implies the fitting of an anti-pinch system. Movements must be preceded by sound and/or light signals.



# 4

## OPTIONS

according to your wishes !



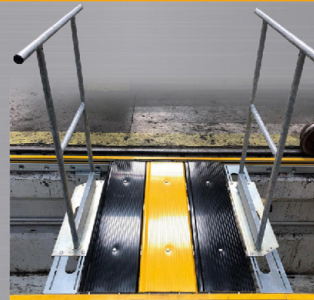
### MOTORIZATION

- Anti-pinch system.
- Emergency stop with external reset.
- Manuel release.
- Sound and light before and during closure.



### DETACHABLE TRAY

- Sliding along the length.
- Approved removable and detachable guardrails.



### STAIRS AND LADDERS

- Height adjustable.
- Galvanized grating bolted steps.



### STAINLESS STEEL FINISHES

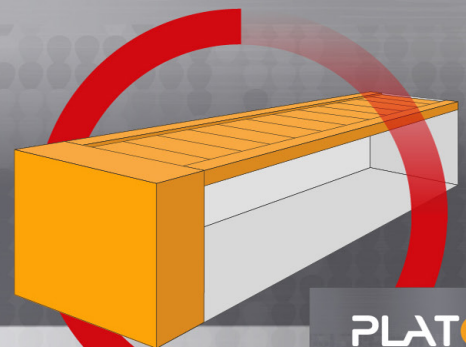
- Washing pit.
- Outdoor pit.



### ATEX



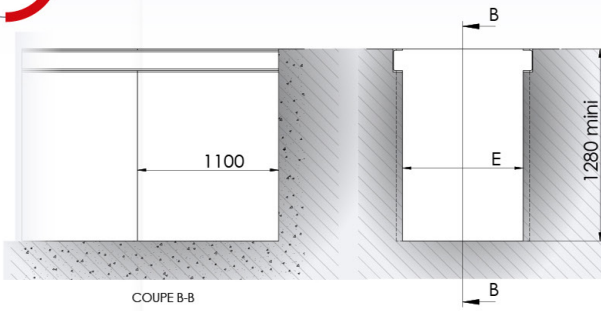
- Equipment compliant with ATEX standards.



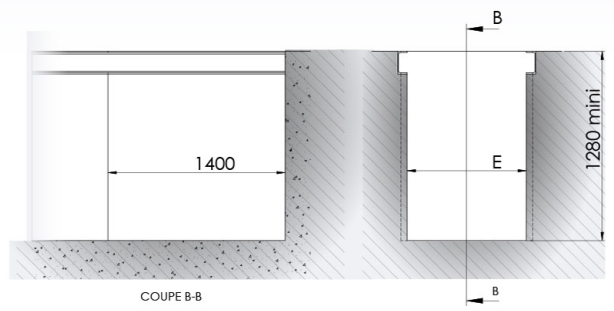
PLATO



## RESERVATIONS :



2 Slabs Model



3 Slabs Model



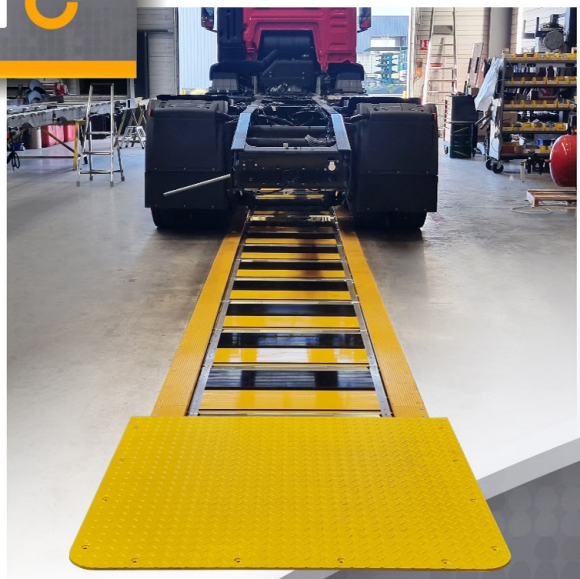
**What advantages ?** DALIS modules fit into a very small space.



## APPLICATION AREAS :



PLATO



**DALIS**  
PIT COVERS

SA DALIS PIT COVERS  
Pôle Automobile - 64 Bis, rue de Chambouin  
85200 FONTENAY LE COMTE



DISCOVER THE VIDEO :



[www.dalis-pitcovers.com](http://www.dalis-pitcovers.com)